

W White-Westinghouse

INTERNATIONAL

Factory Parts Catalog

Product No.	WSPE25V9GS4
Series	R134a System
Color	stain/blk
Volts	220
Wiring Diagram	241796600
Owner's Guide	241801200
Market	Export
Energy Guide	241732553
Service Data Sheet	240420911

INTERNATIONAL

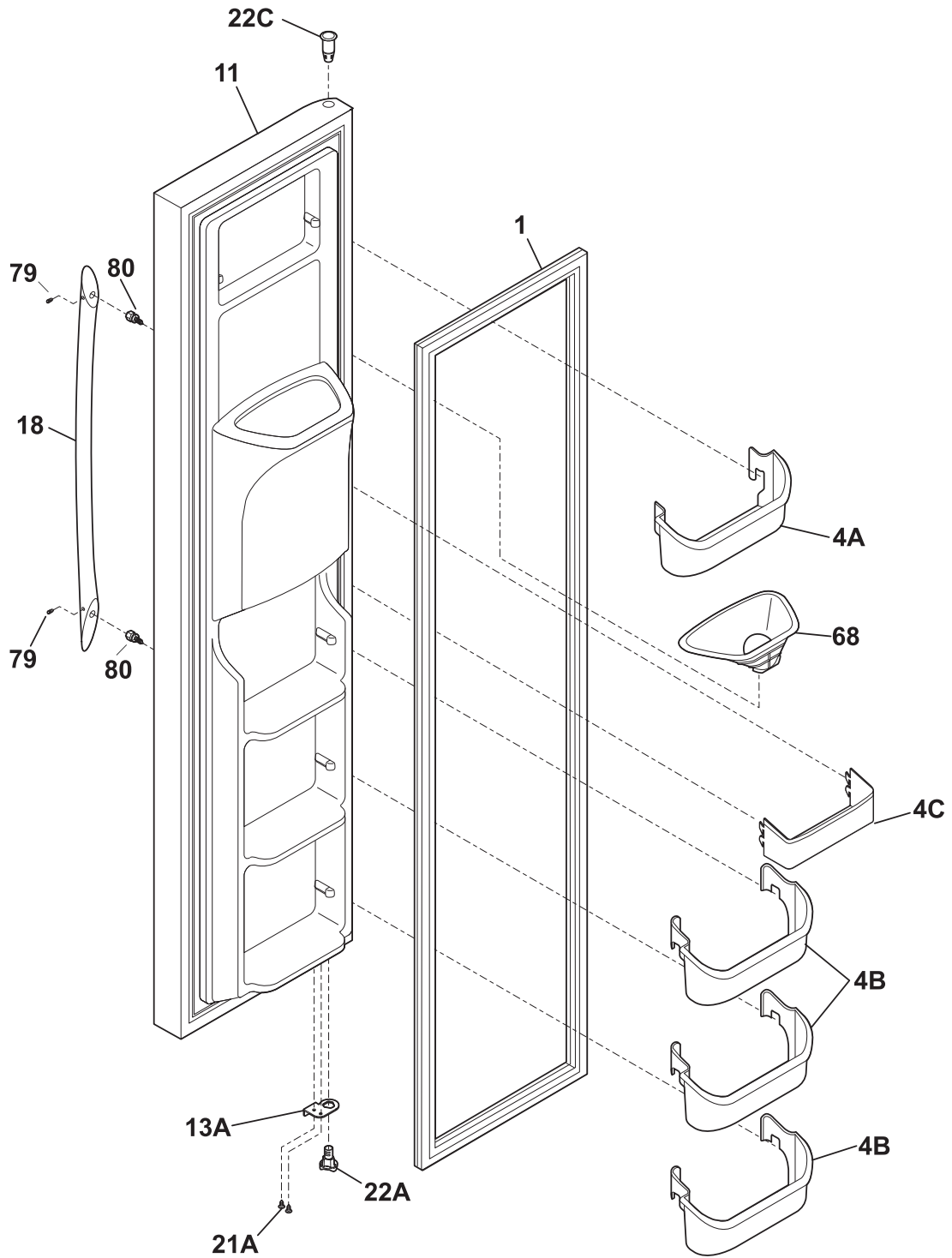
P.O. BOX 8020
CHARLOTTE, NC 28262

SIDE-BY-SIDE REFRIGERATOR

Model No.
WSPE25V9G

Publication No.
5995599098
11/08/24
(EN/SERVICE/JLH)
137

FREEZER DOOR

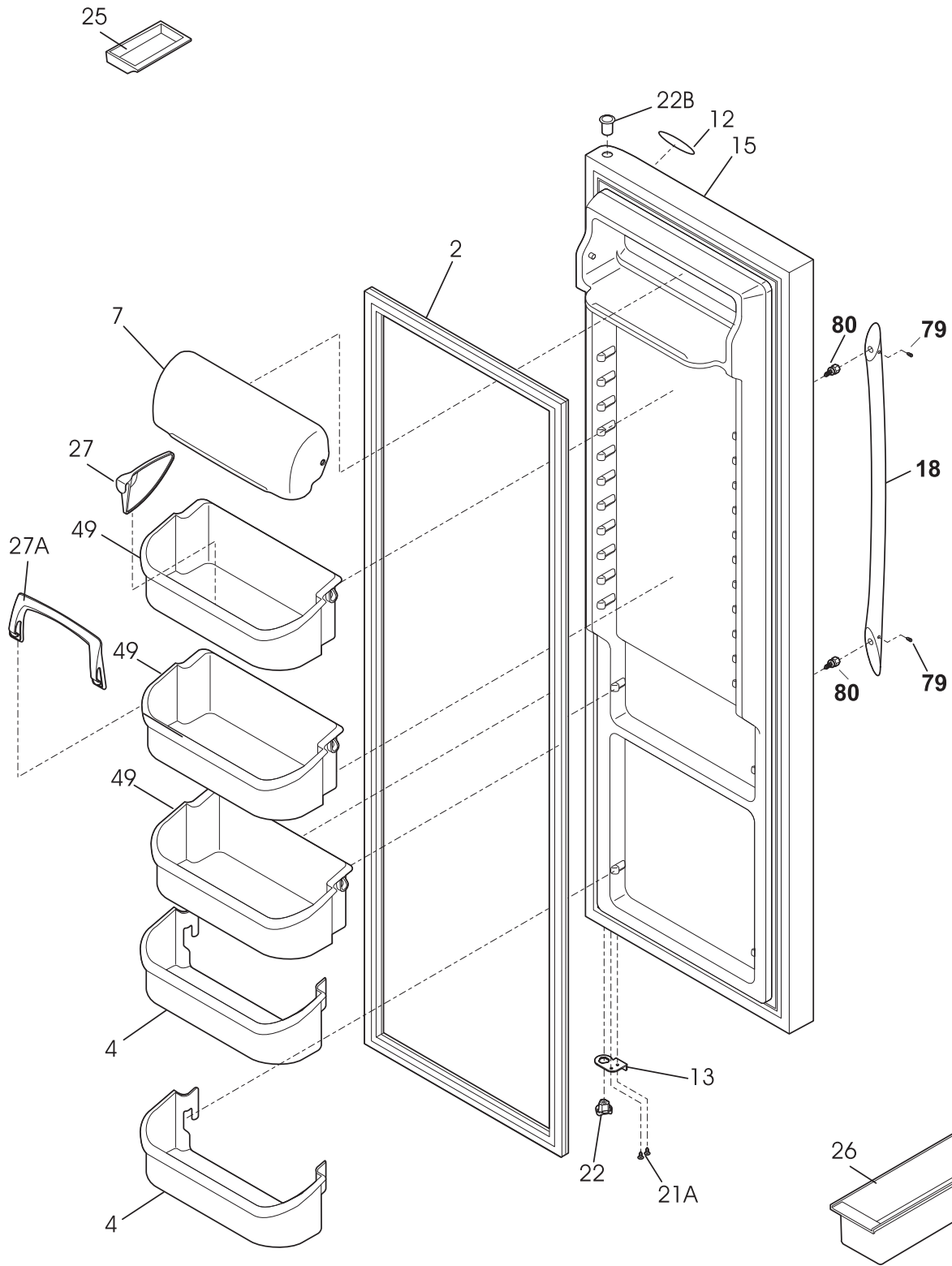


N58FFCBBC1

FREEZER DOOR

POS. NO	PART NO.	DESCRIPTION
1 #	241786004	Gasket-frzr door, white, magnetic
4A	240367302	Bin-door, frzr-upper
4B	240359002	Bin-door
4C	240358402	Bin-door, frzr-dispenser
11	241615171	Door, frzr, stainless steel
13A	240581902	Door Stop, white, frzr
18	297065300	Handle-door
21A	240598402	Screw, 10-32 x 1/2
22A	240328202	Bearing-hinge(frz), closer
22C	240328402	Bearing-hinge, natural, upper
68	241525101	Chute-ice
79	218755402	Screw-set, 10-32 x 0.375
80	218755504	Screw-shoulder, #10 AB, handle mounting
*	240451503	Screw, ind hex wshr hd, 8-32 x 0.375, trilobe
* #	241599703	Harness-wiring, door
*	241806601	Connector-water, straight
*	5303918273	Dispenser heater kit, 220

REFRIGERATOR DOOR

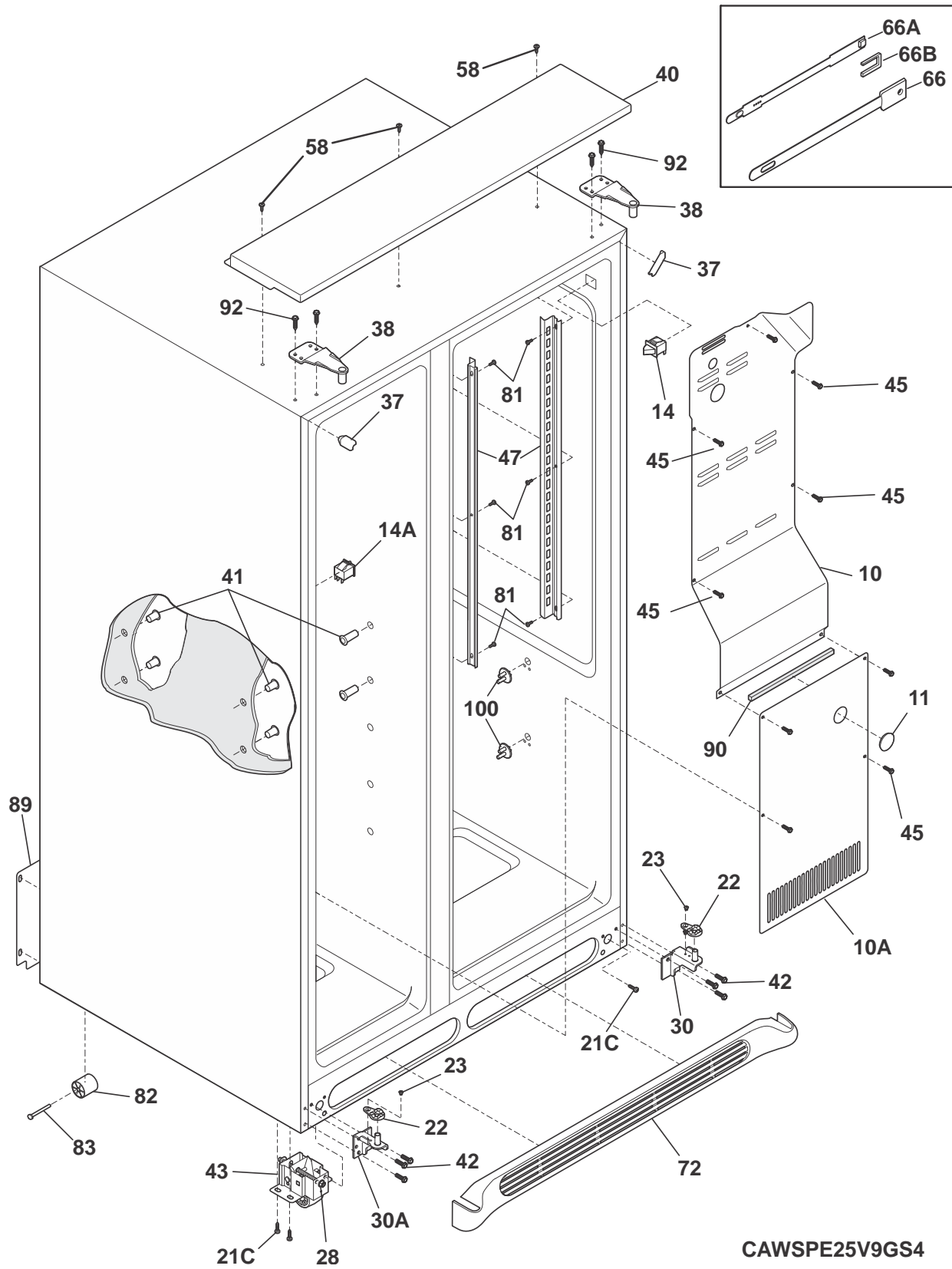


N58RFDCAA0

REFRIGERATOR DOOR

POS. NO	PART NO.	DESCRIPTION
2 #	241786003	Gasket-refr door, white, magnetic
4	240363702	Bin-door, 2-liter
7	240338318	Door-dairy
12	240578101	Label-nameplate
13	240581901	Door Stop, white, refr
15	241629343	Door-refr, stainless, complete assy
18	297065300	Handle-door
21A	240598402	Screw, 10-32 x 1/2
22	240328201	Bearing-hinge(ref), closer
22B	240328402	Bearing-hinge, natural, upper
25	5308000716	Dish, butter
26	3204522	Container, egg
27	240396302	Snugger, paddle type
27A	240396102	Retainer, tall bottle
49	240324502	Bin-door, gallon
49*	241780302	Liner, bin, bin
79	218755402	Screw-set, 10-32 x 0.375
80	218755504	Screw-shoulder, #10 AB, handle mounting

CABINET

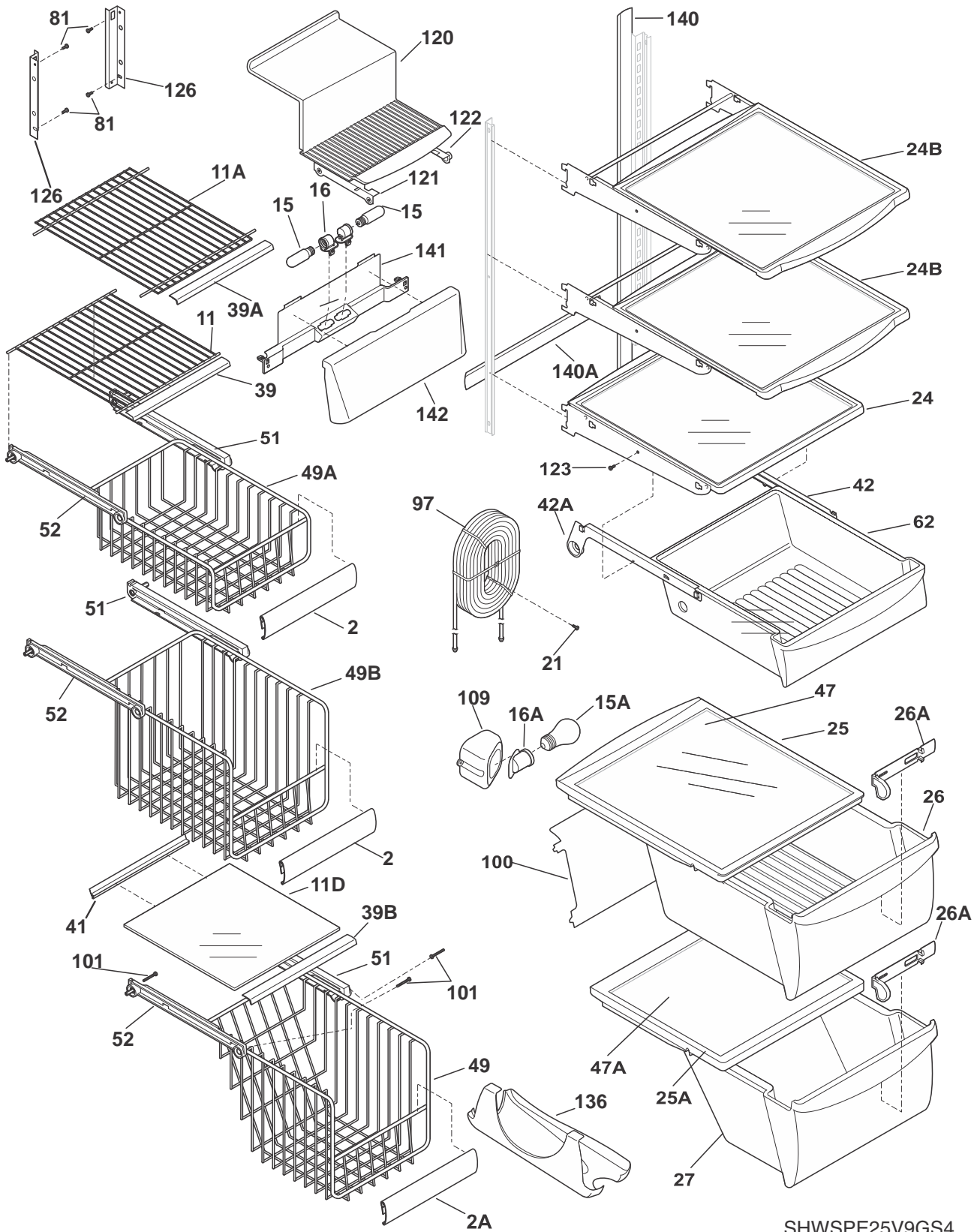


CAWSPE25V9GS4

CABINET

POS. NO	PART NO.	DESCRIPTION
10	240435913	Cover-air duct
10A	241719710	Cover-evap coil, lower
11	5303208309	Plug-hole, factory test
14 #	240505801	Switch, light/lamp
14A#	241547901	Switch-light/lamp, frzr door
21C	218252201	Screw, #8 truss hd, 10-32CA x 0.500
22	241856501	Plate-door closer, natural
23	240402702	Screw-#10-32 x 1/4 flat hd
28	240335502	Bolt-roller adj, hex washer head, 1/4-20 x 4.020, (2), special
30	242034601	Bracket-lower hinge
30A	242034602	Bracket-lower hinge
37	240337614	Trim-cabinet corner, silver mist, (2)
38	240327207	Bracket-upper hinge
40	241816004	Cover-upper hinge, eyebrow, silver metallic
41	241550801	Grommet-shelf mtg, 1.40" long
41*	241550701	Grommet-shelf mtg, .96" long
42	240578902	Screw, hex head, 1/4-20 x 5/8
43	240335006	Roller Assy, front, (2)
45	241500303	Screw, hex washer head, 8-18AB x 1/2
47	240349402	Channel-shelf mtg, side, (2)
58	218781101	Screw, pan head, 8-18 x 0.625
66	240504901	Cover-damper
66*	240518802	Pin-push, push-in, plastic
66A	240505001	Damper-meat keeper
66B	240355901	Insulation-damper
72	240324415	Grille/Kickplate, silver mist
81	5304455650	Screw, hex washer head, 8-15A x 0.625, Low Profile
82	5304418225	Roller, compressor base, rear, (2)
83	5304455655	Rivet, flat head, 1/4 OD x 1-3/4, roller pin
89	241736403	Cover-access, with label
90	218249807	Seal-coil cover
92	241710601	Screw, hex washer hd, 1/4 x 7/8, hinge mtg
100	241993101	Support-crisper cvr
100*	241993001	Support-crisper cvr
*	240396801	Clamp, tube/wiring, nylon, black/natural
*	240479601	Plug, button, cab liner holes

SHELVES

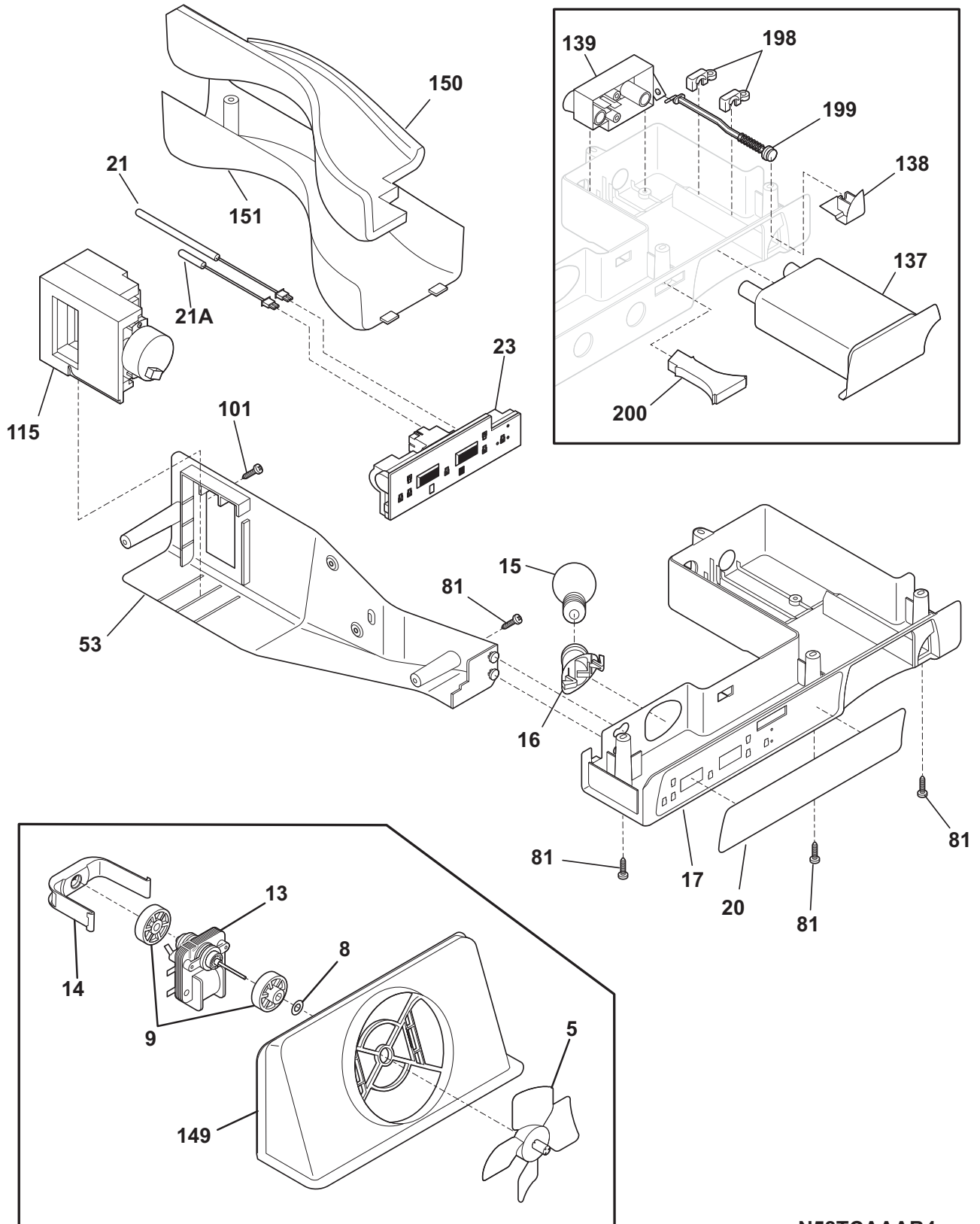


SHWSPE25V9GS4

SHELVES

POS. NO	PART NO.	DESCRIPTION
2	241510603	Trim-basket
2A	241510606	Trim-basket
11	241657601	Shelf, flip up, wire
11A	241657503	Shelf, fixed upper, freezer
11D	240350642	Shelf-freezer, glass
15 #	241552804	Light Bulb
15A#	218814402	Light Bulb
16 #	241608601	Socket-light
16A#	218971501	Socket-light/lamp
16A*	241537505	Harness-wiring
21	5304455658	Screw, hx wshr hd sems, 8-15A x 0.625
24	241711311	Shelf, fixed, Spill Safe
24B	241711009	Shelf, Spill-Safe, sliding
25	240354502	Cover-crisper pan, upper
25*	240362101	Clip-slide, cover-crisper
25A	240354602	Cover-crisper pan, lower
26	240354721	Pan, crisper
26*	240349801	Clip-slide, pan-crisper
26A	240351101	Control-humidity
27	240354824	Pan, crisper lower
39	240367601	Trim-shelf, front
39A	240430705	Trim-shelf, front
39B	240430701	Trim-shelf, front
41	241571203	Trim, shelf, rear
42	240356501	Track, meat pan hanger, RH
42A	240349701	Hanger-meat pan, LH
42A*	240349901	Block-meat pan rail, LH
42A*	240350001	Spring-meat pan rail
47	241711256	Insert-pan cover, glass
47A	240350614	Insert-pan cover, glass
49	240530401	Basket-sliding
49A	240530501	Basket-sliding, upper, half
49B	240530503	Basket-sliding, upper, full
51	240343002	Hanger-basket, RH
52	240343102	Hanger-basket, LH
62	240355523	Pan, pan-meat
81	5304455650	Screw, hex washer head, 8-15A x 0.625, Low Profile
97	240545307	Water Tank
100	240326303	Cover-water tank
101	218493101	Screw, hex washer head, 8-18AB x 1-3/4
109	240351301	Base-crisper light socket
120	241691801	Shelf-ice cream
121	241561001	Rail-ice cream shelf, LH
122	241561101	Rail-ice cream shelf, RH
123	215005101	Screw, hanger/rlr mtg, 8-10 x 7/16
126	241674401	Channel, auger mtg, LH
126	241674402	Channel, auger mtg, RH
136	241657701	Dispenser-can, white
140	240430501	Channel, wtr tube cover
140A	240430503	Channel, wtr tube cover
141	240585401	Bracket-light socket
142	240582703	Shield-light Mid Level

CONTROLS

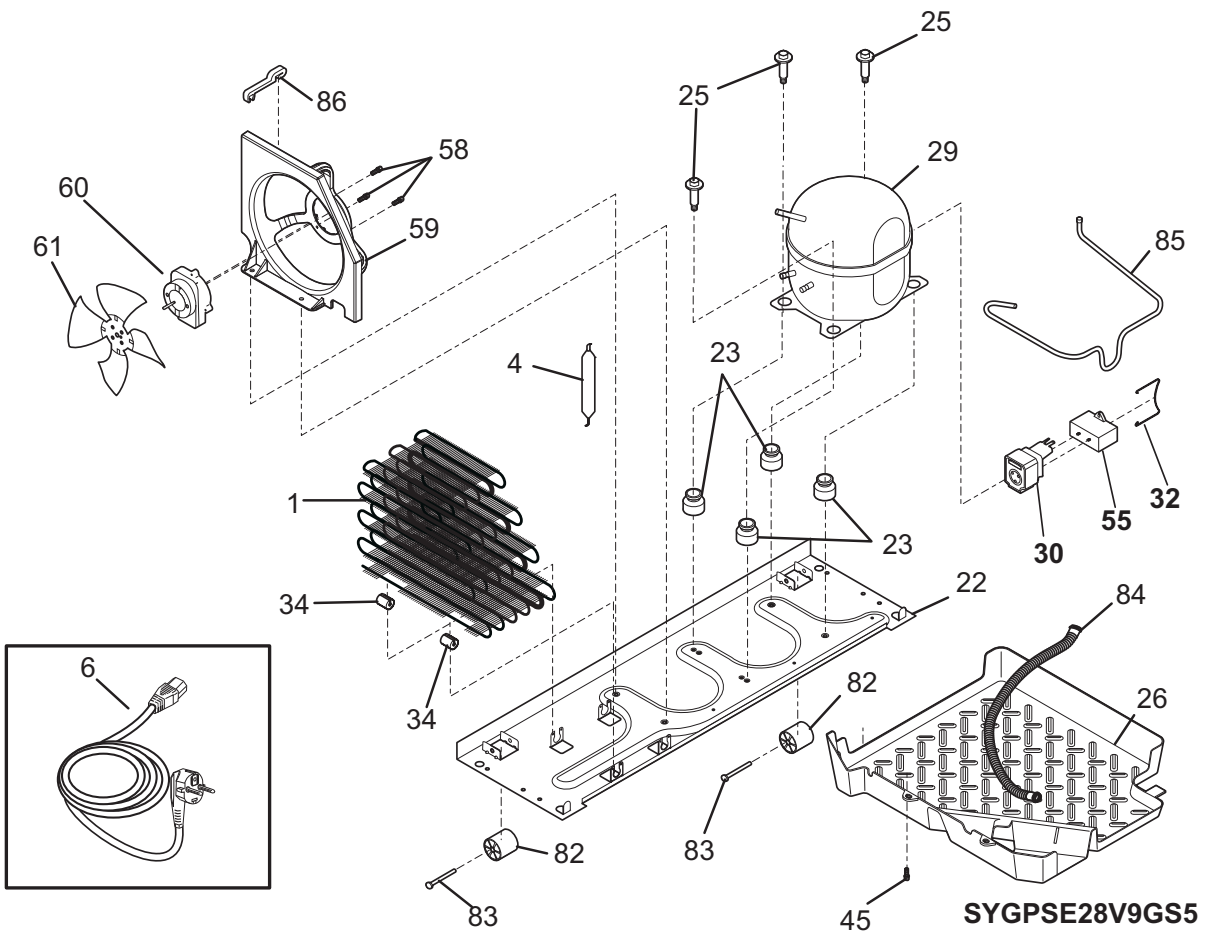
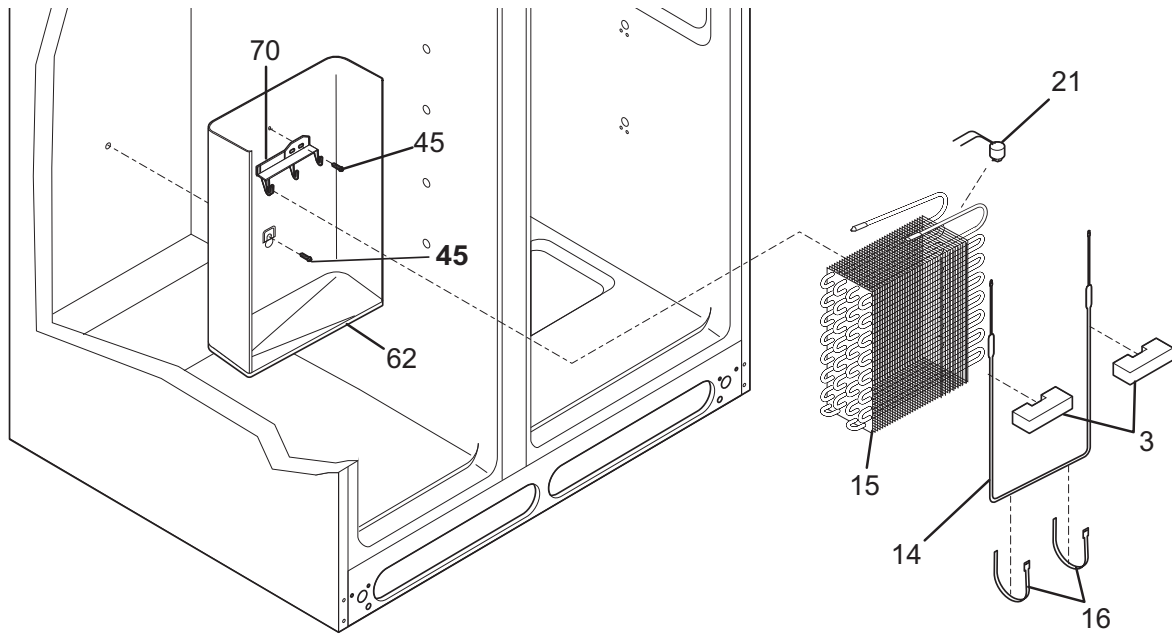


N58TCAAAB4

CONTROLS

POS. NO	PART NO.	DESCRIPTION
5 #	5308000010	Fan Blade, red, evaporator fan
8	215474201	Washer, "slinger", nylon, evap fan shaft
9	241563601	Bushing-motor mtg
13 #	240419601	Motor-evap fan, 220V
14	241517701	Clip, evap fan motor
15 #	218814402	Light Bulb
16 #	218971501	Socket-light/lamp
17	241633401	Box-control, front
17*#	240600501	Harness-wiring, control box
20	241807801	Label-control box
21 #	241608401	Thermistor-refr
21A#	241608501	Thermistor-frzr
23 #	241739706	Control, electronic
23*	5304455651	Screw, hex washer head, 8-15A x 0.500
53	241608901	Box-control
81	5304455650	Screw, hex washer head, 8-15A x 0.625, Low Profile
101	241637202	Screw, #8AB x 1 3/4"
115#	241600904	Damper Assy, 220, w/seal
137#	242007903	Filter, water, carbon cassette, front, with o'rings
137*	240396701	Bypass, water filter, Optional Part
138	240397301	Button-filter release
139	240396002	Base-water filter
139*	240526901	O-ring, wtr filter base
149	241563401	Shroud-fan orifice
149*	241528305	Seal, shroud
150	241505101	Insulation-water tube cover
151	241505001	Cover-water tube
198	240397401	Retainer
199	240397501	Rod
199*	240398401	Spring-filter release rod
200	240397601	Light Pipe
*	3205266	Edge Protector, wiring harness
*	240410601	Shield-light, refr

SYSTEM



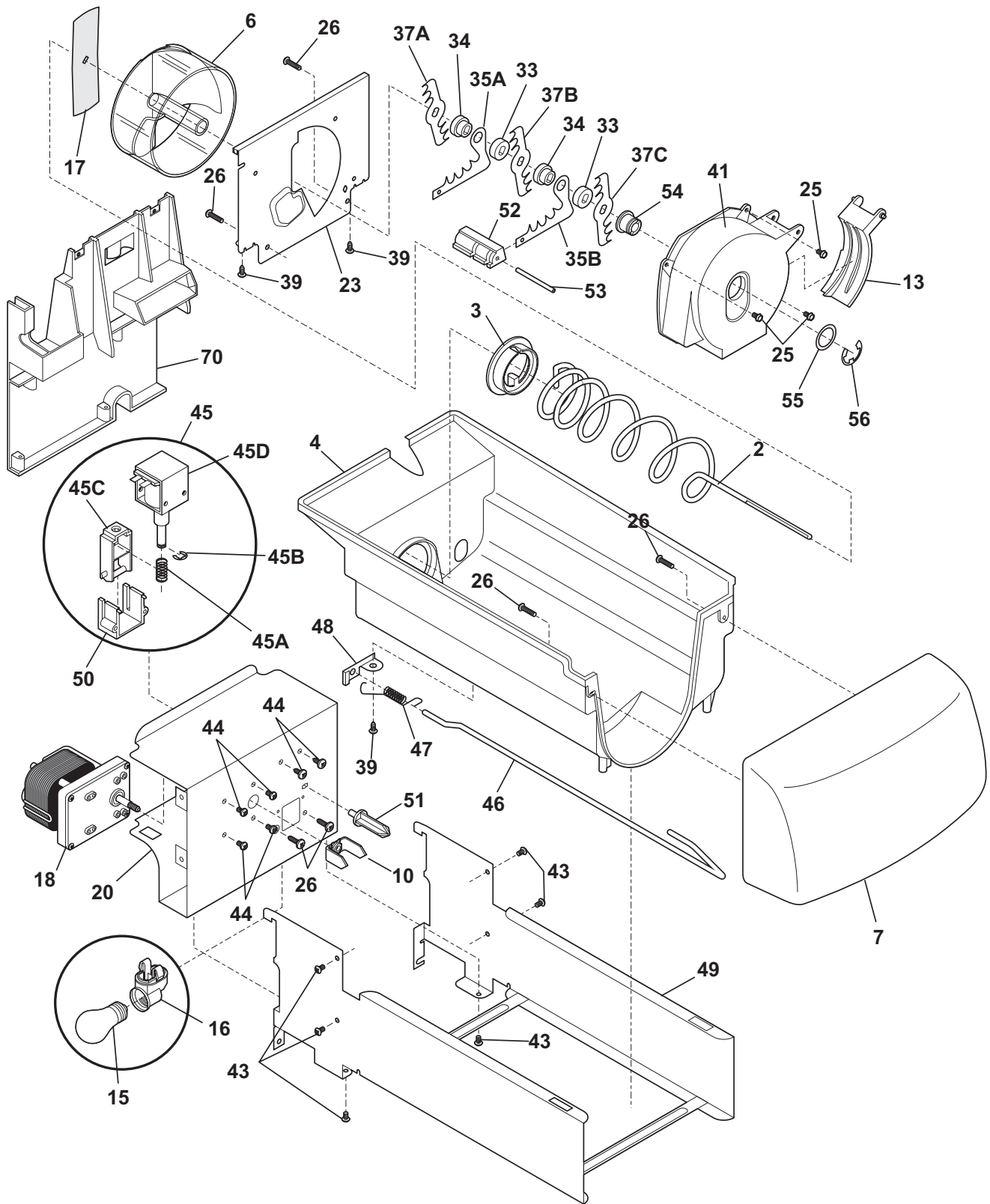
SYSTEM

POS. NO	PART NO.	DESCRIPTION
1 #	242039201	Condenser
3	218679606	Block-evap coil, styrofoam, (2)
4 #	218944001	Drier-filter, R134a System
6 #	241723306	Cord-service
6*	240451503	Screw, ind hex wshr hd, 8-32 x 0.375, trilobe
6*	240555002	Screw-#8-32 X 3/8
6* #	240600501	Harness-wiring, control box
6* #	241627301	Harness-wiring, machine compt
6* #	241735901	Bracket Assembly
6* #	241805102	Harness-wiring
14 #	240316108	Defrost Heater, 220 V
15 #	5303918286	Evaporator Kit
16	5308000110	Strap-evap/heater, aluminum, (2)
21 #	5303918202	Thermostat-defrost, kit
22	240330010	Base-compressor
22*	218252201	Screw, #8 truss hd, 10-32CA x 0.500
23	218513300	Grommet-compr mtg, (4)
25	240491503	Screw-compressor mtg, 1/4-28 x 1.16, (4)
26	241697602	Pan-defrost
29 #	240550924	Compressor
30 #	241707704	Starter-PTC
32	241809001	Clamp, elec cont mtg, compressor
34	240405201	Grommet, rubber, black, cond tube/wire
45	5304455650	Screw, hex washer head, 8-15A x 0.625, Low Profile
55 #	218909908	Capacitor, run
58	240569202	Screw, 8-18 X .500
59	241946106	Shroud-cond fan
59*	240346701	Tape-foam seal, shroud
59*	240359403	Screw-fan shroud, (2)
60 #	241657101	Motor-condenser fan
61	241639501	Blade-condenser fan
62	240429404	Trough-drain
70	218990801	Bracket-evap/cvr mtg
82	5304418225	Roller, compressor base, rear, (2)
83	5304455655	Rivet, flat head, 1/4 OD x 1-3/4, roller pin
84	241830903	Tube-drain, lower
85	241856901	Tube-connector, suction
86	240409302	Spacer-cond tube, black
* #	241623902	Harness-wiring
* #	5303918328	Heat Exchanger Kit, suction line, service
*	5303918244	Hot Tube Repair Kit, service

ICE & WATER DISPENSER

POS. NO	PART NO.	DESCRIPTION
1	218976409	Tube, water, door
1*	218976418	Tube-water inlet, inlet valve, to filter
1*	218976419	Tube-water inlet, valve to door
1*	218976915	Tube-water inlet, inlet valve, to I/M inlet
1*	240561703	Seal-water inlet, inlet valve, to ice maker
4	241678710	Cover-module, silver metallic
8	241680504	Module-dispenser
10	241688901	Spring-torsion
14	241611212	Label-module cover, silver metallic
17	241679801	Screw
23	241649005	Drip Tray, silver metallic
24	241685704	Actuator, stainless
24A	241682304	Actuator-ice, stainless
30	241688401	Door Assy-ice chute
30A	241688501	Door center
30B	241688601	Insulation-door
30C	241688701	Door seal
35	241689301	Damper-rotary
36	241680301	Carrier
38 #	241527606	Board-power
38*	241686201	Insulator-electrical
38A#	241689101	Switch-micro, single pole, double throw
38C*	241680002	Harness-ribbon cable
38C#	241699807	Board-control
39	241688801	Pin-hinge
41	241689001	Spring-actuator
43	215296301	Screw, plask h/l, #6 x 3/8
56	241689201	Screw-micro switch, pan head
82	240363402	Screw, plask, #8-18 x .500
87	241688302	Bearing Plate
87A	241688301	Bearing Plate
90	241680201	Light Pipe, reflector, long
91	241680101	Light Pipe, reflector, short
*	241623902	Harness-wiring
*	5303918273	Dispenser heater kit, 220

ICE CONTAINER

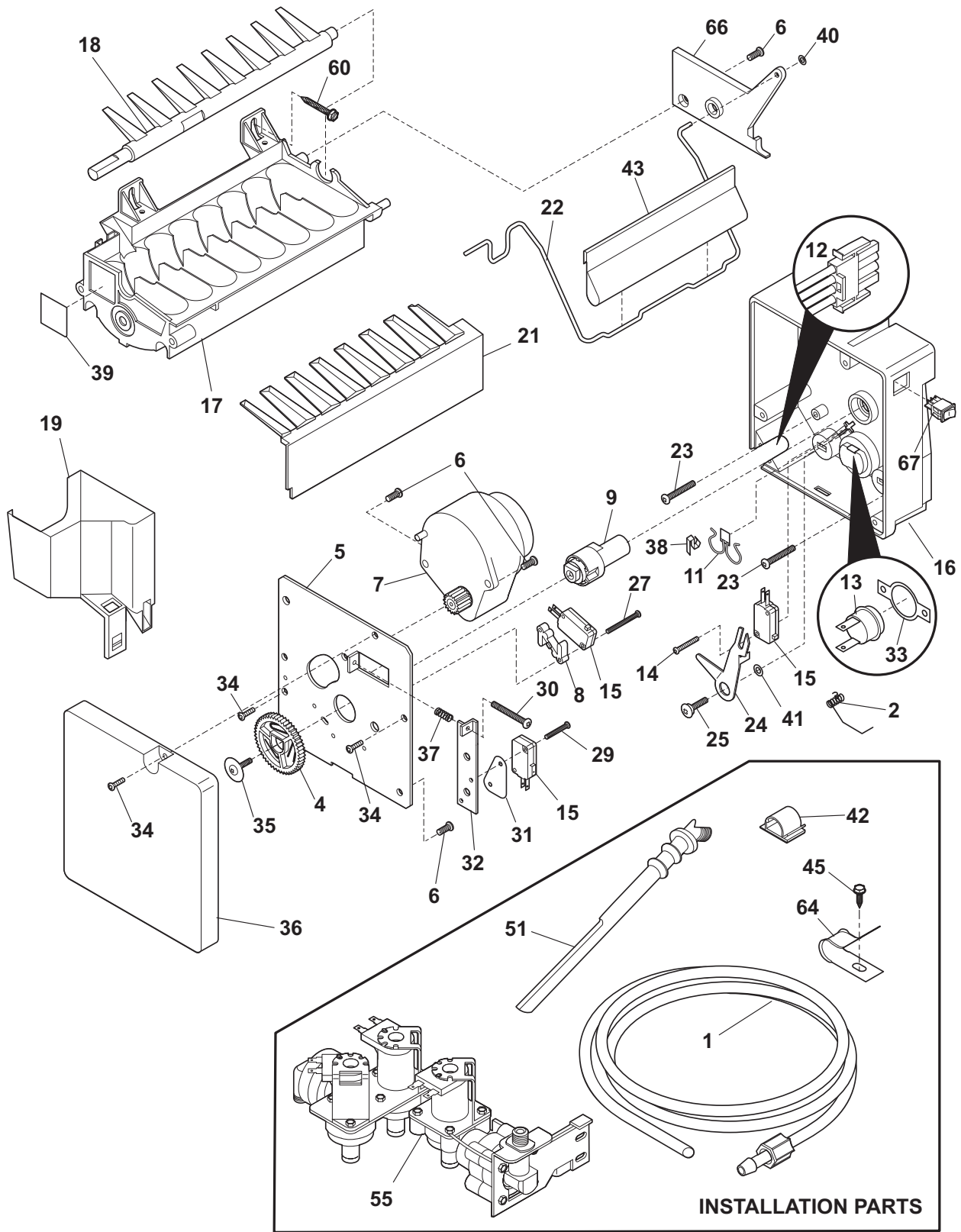


N58YDAAAC6

ICE CONTAINER

POS. NO	PART NO.	DESCRIPTION
2	241716101	Auger-ice
3	241685201	Cam-drive
4	241561302	Container-ice, bucket only
6	241685101	Drum-ice disp
7	241561401	Front-ice container
10	241726501	Bar-drive
13	241685301	Gate
15 #	218814402	Light Bulb
16 #	240433702	Socket-light/lamp
17	241684501	Drive Blade
18 #	241681001	Motor-auger, 220V
18*#	241578401	Wiring Harness, auger motor
20	241734702	Cover-motor
23	241684001	Plate-front
25	241690701	Screw, hex washer head, 8-32T x 0.375
26	215503205	Screw, cr pan hd, 10-16 x 0.500
33	241684801	Spacer
34	241689801	Spacer
35A	241684301	Fixed Blade, round
35B	241684201	Fixed Blade, square
37A	241684101	Blade, crusher #1
37B	241684102	Blade, crusher #2
37C	241684103	Blade, crusher #3
39	241690501	Screw
41	241685601	Housing-crusher
43	215296301	Screw, plask h/l, #6 x 3/8
44	241842101	Screw, 8-32 x 1/4
45 #	241675702	Solenoid Assy, 220V
45A	241675901	Spring-solenoid
45B	241676001	E-Ring-solenoid
45C	241676101	Actuator-solenoid
45D	241675802	Solenoid, 220V
46	241716002	Control Rod
47	241731801	Spring-control rod
48	241684602	Bracket-control rod
49	241734401	Rail Assy
50	241675601	Guide-solenoid
51	241676301	Rotation Stop
52	241684901	Spacer-fixed blades
53	241690402	Pin-spiral, fixed blades
54	241685001	Nut-auger
55	241690306	Washer
56	241690201	E-ring
70	241561501	Plate-mounting
70*	241551602	Screw, hex head, 8-18B x 0.875
70*	241716801	Clip
*	218817300	Shield-light
*	241860804	Ice Container Assy, w/moving parts

ICE MAKER

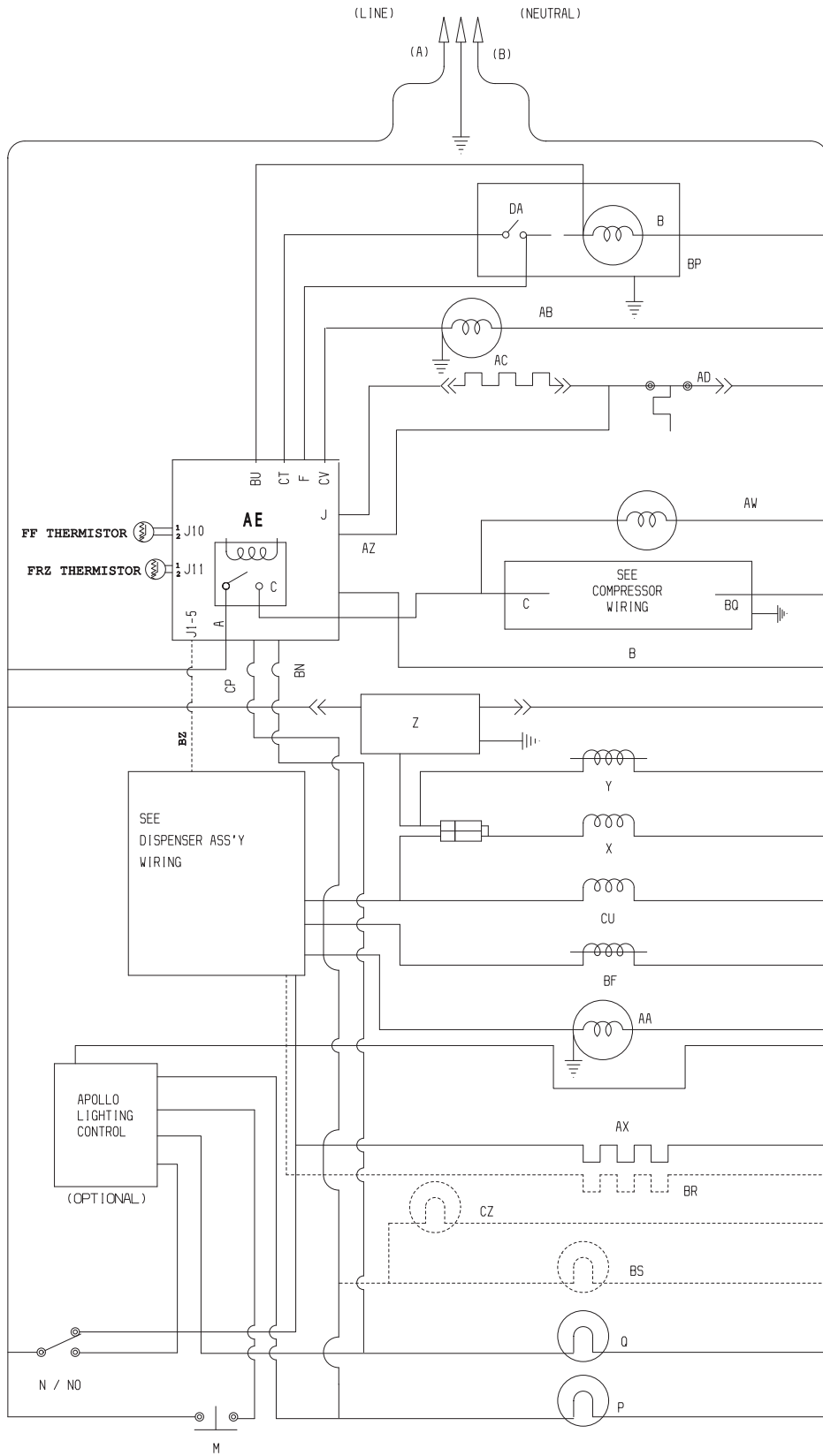


N58115TServo

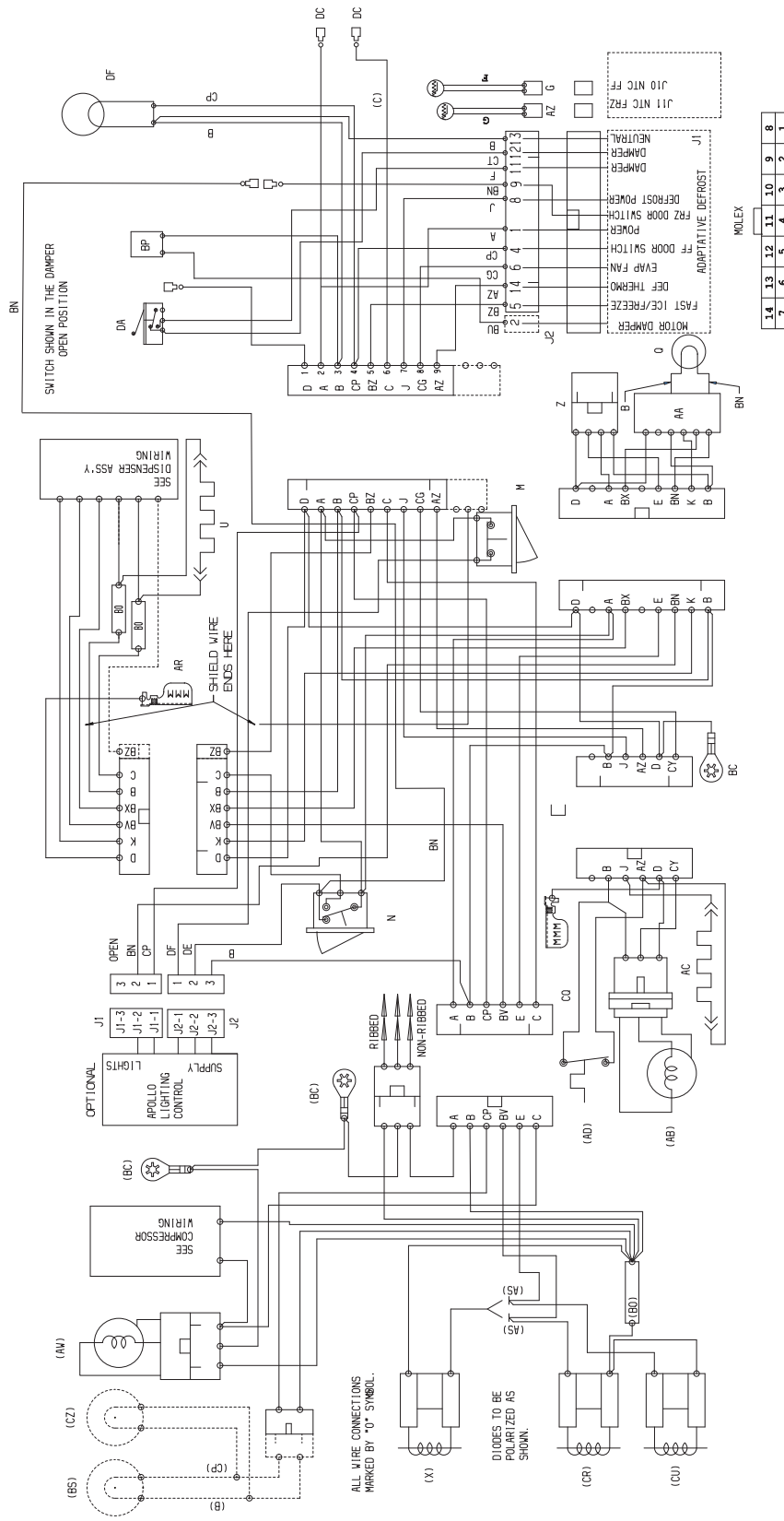
ICE MAKER

POS. NO	PART NO.	DESCRIPTION
1	218976409	Tube, water, door
1*	218976418	Tube-water inlet, inlet valve, to filter
1*	218976419	Tube-water inlet, valve to door
1*	218976915	Tube-water inlet, inlet valve, to I/M inlet
1*	240561703	Seal-water inlet, inlet valve, to ice maker
2	5304459922	Spring, shut-off arm
4	5304458380	Gear
5	5304459907	Plate-mounting
6	5304459913	Screw
7 #	5304459906	Motor-ice maker Svo
8	5304458388	Spacer-hold switch
9	5304456662	Cam
11 #	5304458400	Thermal Cutoff, ice maker
12 #	5304458379	Harness-wiring
13 #	5304456665	Thermostat, ice maker
14	5304459918	Screw, plask, 4x14x3/4
15 #	5304456667	Switch-micro, (3)
16	5304459920	Housing-control
17	5304459905	Mold-ice maker, with heater
18	5304458377	Ejector-ice
19	5304459904	Cup-water inlet
21	5304458390	Ice Stripper
22	5304459903	Shut-off Arm
23	5304459917	Screw
24	5304459915	Lever Arm
25	5304459916	Screw
27	5304459910	Screw, 4-40 x 1.000, hold switch mtg, (2)
29	5304459909	Screw
30	5304459912	Screw
31	5304458381	Insulator
32	5304456681	Plate-valve switch
33	5304458403	Retainer-thermostat
34	5304459911	Screw
35	5304459908	Screw
36	5304458376	Cover-ice maker
37	5304456682	Spring, timing adjust
38	5304458398	Clip
39	5304458399	Conductor-heat
40	5304458401	Clip-retainer
41	5304459921	Washer
42	218515403	Clip-grille
43	241720601	Extension
45	5304455650	Screw, hex washer head, 8-15A x 0.625, Low Profile
51	241796403	Tube-water fill, extension
55	241848201	Valve-water, triple solenoid, 220
55*	218709101	Screw, hex head, 10-32 x 0.500
55*	240363602	Screw-shoulder
55*	241944601	Harness-wiring, water sole vlv
60	5304455651	Screw, hex washer head, 8-15A x 0.500
64	5304455846	Clamp, .31 ID, steel, water tube
66	5304458374	Bracket-ice maker
67	5304458392	Switch-on/off
*	5304456689	Washer, nylon
*	5304459914	Screw
*	241583301	Deflector-air, ice maker
*	241806601	Connector-water, straight
* #	241709802	Ice Maker, radius cube, 220 V

WIRING SCHEMATIC



WIRING DIAGRAM



Functional Parts
* Non-Illustrated Parts